



suttontools

SHARPENING

EZE Fold ▪ Hone & Stone ▪ Pocket Stone ▪ Bench Stone ▪ Needle Files



Proudly Distributed by: **suttontools**
world class cutting tools

Camping

Farming

Fishing

Hospitality

Gardening



EZE-LAP Diamond products have been the pioneer and originator of diamond sharpeners since the early 1970's. Our unique diamond process and modern technology allows EZE-LAP to produce the finest quality diamond products for the lowest possible price. The superior process of heat treatment that bonds the highest quality industrial grade diamond particles in a stainless alloy to a precision matched metal substrate has been imitated but has never come close to being duplicated.

The resulting surface integrity from the EZE-LAP process measures about 72 on the Rockwell C hardness scale.

By utilizing our technology, EZE-LAP has created a surface that works on carbide, ceramic, tool steel, hardened materials and newer stainless steels that are utilized by most major knife manufacturers today.

EZE-LAP manufactures a wide variety of diamond products.

This allows the customer to pick and choose the model(s) they believe will best serve their needs. The vast array of

diamond sharpeners in the product line include small pocket size flat stones and compact, portable, round diamond sharpeners that are ideally suited for the fisherman, sportsman, or the outdoors person, to the larger diamond bench stones ideal for the workshop.

There are even household and professional size diamond steels for the chef, gourmet, or meat cutter. EZE-LAP manufactures products using five different diamond grits. This wide selection in diamond sizes allows you to match the right diamond surface to your specific sharpening application.

In addition to the flat and round sharpeners, EZE-LAP offers several special use diamond sharpening tools, which include chain saw sharpeners, needle files, flat hand files, and oval sharpeners. EZE-LAP boasts about its quality. We are proud to offer the flattest, most consistent production diamond tools available on the market today. Even after years of satisfaction, EZE-LAP customers are still amazed at the quality and consistency of the finishes that are achieved by the diamond tools.

Grit Descriptions: EZE-LAP manufactures products using five different diamond grits. This wide selection of diamond grits allows you to match the right diamond surface to your specific sharpening needs.

Grade	Application	Grit	Colour Code
Super Fine - SF	Used to achieve the ultimate finish. This grit is best for providing a finished, polished edge. Ideally suited for woodworking and industrial applications where the finest finish is necessary. Available on all flat products and all oval sharpening steels.	1200	Blue
Fine - F	Our best general purpose grit. We feel that the great majority of your sharpening needs can be performed by our Fine grit. It has the abrasive ability to effectively sharpen a dull knife to a razor edge quickly and easily. The Fine grit is offered on all EZE-LAP products.	600	Red
Medium - M	When you need a surface that will sharpen quickly but can still achieve a high quality finish the medium grit is perfect for you. This grit is great for re establishing an angle on an edge, taking nicks or chips out of an edge, flattening the soles of hand planes, backs of a chisel or on many lawn and garden tools. Also a good choice for flattening water stones.	400	Purple
Coarse - C	For when you need to get the job done quickly and are looking for rapid metal removal. This grit lends itself well for sharpening axes, shovels, garden tools, shop tools and deburring. Can also be used for flattening of water stones. Coarse is available on flat tools only.	250	Black
Extra Coarse - XC	For very fast aggressive metal removal. Great for roughing in or prepping a surface for final finish. Also used for deburring. Extra Coarse is available on flat tools only.	150	Green

SHARPENING

EZE-LAP Diamond Sharpeners Index

- 269 **Diamond Sharpeners** Bench Stone
- 270 **Diamond Sharpeners** Chainsaw
- 268 **Diamond Sharpeners** Double Sided Stone
- 266 **Diamond Sharpeners** EZE Fold
- 270 **Diamond Sharpeners** Fixed Angle
- 266 **Diamond Sharpeners** Hone & Stone
- 273 **Diamond Sharpeners** How To Use
- 272 **Diamond Sharpeners** Needle Files
- 267 **Diamond Sharpeners** Pen Style
- 268 **Diamond Sharpeners** Pocket Stone
- 267 **Diamond Sharpeners** Round, Oval
- 271 **Diamond Sharpeners** Special Use Items

Diamond Sharpeners EZE Fold



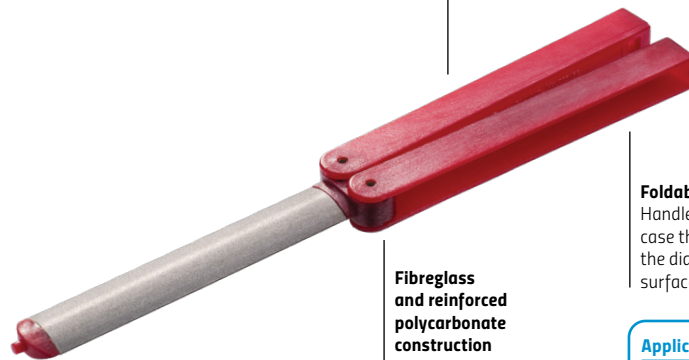
Carrying case that unfolds into a handle.
Suitable for knives, scissors, axes, lawn and garden tools.



530

551

591



Colour coded
For easy grit identification

Fibreglass and reinforced polycarbonate construction
For strength and durability

Foldable handle
Handle folds into a case that protects the diamond surface

Application

DIY
Outdoor
Farming
Fishing
Hospitality
Gardening

Discount Group: Z1401

Size	Description	Grade	Grit	Pieces	Item #	Barcode
Doubled Sided Flat Shaft						
3/4" x 4"	Super Fine/Medium Grit Double Sided, Silver Handle	SF/M	1200/400	1	510	081819510003
3/4" x 4"	Super Fine Grit/Ceramic Double Sided, White Handle	SF	1200	1	530	081819530001
Round Shaft						
3 - 1/2"	Round Shaft, Small & Large Grooves for Hooks, Black Handle	C	250	1	551	081819551006
Tapered Shaft						
3 - 1/2"	Tapered Shaft for Serrated Blades, Fine Grit, Red Handle	F	600	1	571	081819571004
Oval Shaft						
4" x 3/4" x 1/4"	Oval Shaft, Fine Grit, Red Handle	F	600	1	591	081819591002

Diamond Sharpeners Hone & Stone



Suitable for carbides, carbide table saw blades, router bits, deburring, hunting and fishing knives, axes, woodworking tools.



LF



Colour coded
For easy grit identification

Strong build
Plastic Polycarbonate handle

Slim design pad
3/4" x 2" Diamond for hard to reach places

Application

DIY
Outdoor
Farming
Fishing
Hospitality
Gardening
Woodworking
Metalworking

Discount Group: Z1401

Size	Description	Grade	Grit	Pieces	Item #	Barcode
Hone & Stone						
6" x 3/4"	Super Fine Grit - Blue Handle	SF	1200	1	LSF	081819120004
6" x 3/4"	Fine Grit - Red Handle	F	600	1	LF	081819120011
6" x 3/4"	Medium Grit - Purple Handle	M	400	1	LM	081819120028
6" x 3/4"	Coarse Grit - Black Handle	C	250	1	LC	081819120035
6" x 3/4"	Extra Coarse Grit - Green Handle	XC	150	1	LXC	081819120042
Sets						
6" x 3/4"	3 Pce Set: Super Fine, Fine & Medium Grit in vinyl pouch	SF/F/M	1200/600/400	3	L PAK3	081819121001
6" x 3/4"	5 Pce Set: Super Fine, Fine, Medium, Coarse & Extra Coarse Grit in vinyl pouch	SF/F/M/C/XC	1200/600/400/250/150	5	L PAK5	081819123005

Diamond Sharpeners Pen Style



Stores in a pen type cap.
Clips to pocket, pouch or backpack for easy access in field and workshop.
Suitable for fishing knives, pocket knives, multi-tools, hooks, darts, needles, points, jewellery making.



S



Application

DIY
Outdoor
Farming
Fishing
Jewellery Making

Discount Group: Z1401

Size	Description	Grade	Grit	Pieces	Item #	Barcode
Pen Type						
5 1/2"	D Shaped Shaft with Groove for Fishhooks	F	600	1	S	081819130010
5 1/2"	Pocket Size with Tapered Shaft for Serrated Blades	F	600	1	ST	081819132014

Diamond Sharpeners Round, Oval



Diamond Sharpening Steels provides a new edge every time compared to conventional steels.
Available in round and oval shapes.



G



Application

DIY
Outdoor
Hospitality

Discount Group: Z1401

Size	Description	Grade	Grit	Pieces	Item #	Barcode
Round Sharpener						
8" x 3/8"	Round Shaft Diamond Steel with Plastic Handle	F	600	1	G	081819700015
10" x 7/16"	Round Shaft Diamond Steel with Plastic Handle	F	600	1	P	081819160017
3-1/4" x 1/4"	Diamond Round Shaft Stores in Brass Handle, Pouch with Belt Loop	F	600	1	M	081819190014
Oval Sharpener						
5"	Super Fine Oval with Plastic Handle (Sleeve)	SF	1200	1	D5SF	081819000504
5"	Fine Oval with Plastic Handle Bulk (Sleeve)	F	600	1	D5F	081819000528
5"	Fine Oval with Plastic Handle Bulk (Clam)	F	600	1	D5FC	081819000511
10"	Super Fine Oval with Plastic Handle (Sleeve)	SF	1200	1	D10SF	081819001006
10"	Fine Oval with Plastic Handle (Sleeve)	F	600	1	D10F	081819001013
12"	Super Fine Oval with Plastic Handle (Sleeve)	SF	1200	1	D12SF	081819001204
12"	Fine Oval with Plastic Handle (Sleeve)	F	600	1	D12F	081819001211

Diamond Sharpeners Pocket Stone

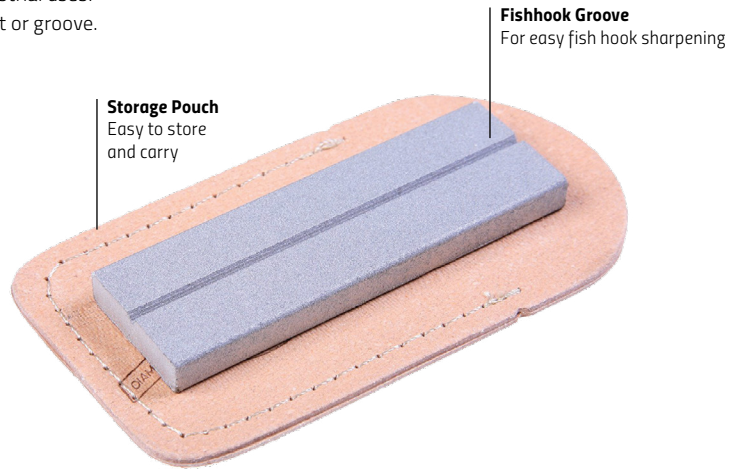


Suitable for hunting and fishing knives, woodworking tools, axes, machetes, lawn and garden tools, kitchen and industrial uses.

The stones stay flat and will not dish out or groove.
No oil or water is necessary.



26F



Application

DIY
Outdoor
Farming
Fishing
Hospitality
Gardening
Woodworking
Industrial

Discount Group: Z1401

Size	Description	Grade	Grit	Pieces	Item #	Barcode
Pocket Stone (Includes Pouch)						
1" x 3" x 1/4"	Fine Grit Stone with Groove in Pouch	F	600	1	26F	081819002614
1" x 3" x 1/4"	Super Fine Grit Stone with Groove in Pouch	SF	1200	1	26SF	081819002607
1" x 3" x 1/4"	Medium Grit Stone with Groove in Pouch	M	400	1	26M	081819002621
1" x 4" x 1/4"	Fine Grit Stone with Groove in Pouch	F	600	1	36F	081819003611
Pocket Stone						
1" x 3" x 1/4"	Super Fine Grit Stone with Fishhook Groove	SF	1200	1	21SF	081819002102

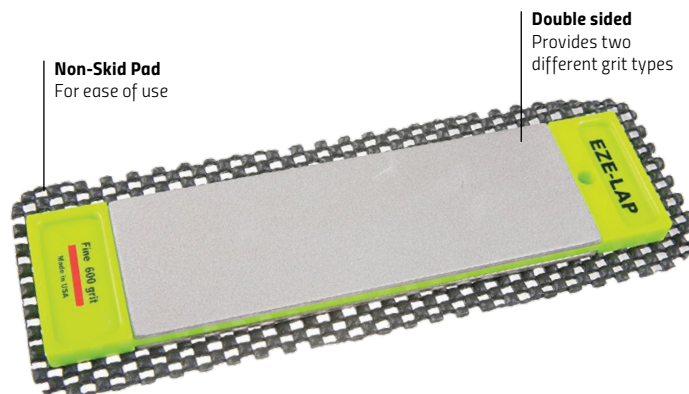
Diamond Sharpeners Double Sided Stone



Double-sided stone in grit combinations.
Reshape with heavier sided grit, and polish with lighter grit.
Non-slip mat for ease of use.



DD6SF/F



Application

DIY
Hospitality

Discount Group: Z1401

Size	Description	Grade	Grit	Pieces	Item #	Barcode
Double Sided Stone (Includes a Non-Skid Pad)						
2" x 6"	Super Fine/Fine Grit Stone	SF/F	1200/600	1	DD6SF/F	081819446012
2" x 6"	Super Fine/Medium Grit Stone	SF/M	1200/600	1	DD6SF/M	081819446029
2" x 6"	Fine/Coarse Grit Stone	F/C	600/250	1	DD6F/C	081819446135
3" x 8"	Super Fine/Fine Grit Stone	SF/F	1200/600	1	DD8SF/F	081819448016
3" x 8"	Super Fine/Medium Grit Stone	SF/M	1200/400	1	DD8SF/M	081819448023
3" x 8"	Fine/Coarse Grit Stone	F/C	600/250	1	DD8F/C	081819448139

Diamond Sharpeners Bench Stone



Suitable for hunting and fishing knives, woodworking tools, axes, machetes, lawn and garden tools, kitchen and industrial uses. The stones stay flat and will not dish out or groove. No oil or water is necessary.

Walnut Pedestal
For easy handling or bench use

Sharpening Stone
No oil or water is necessary



32F



- Application**
- DIY
 - Outdoor
 - Farming
 - Fishing
 - Hospitality
 - Gardening
 - Woodworking
 - Industrial

Discount Group: Z1401

Size	Description	Grade	Grit	Pieces	Item #	Barcode
Bench Stone (Includes Walnut Pedestal)						
1" x 3"	Fine Grit Stone on a Walnut Pedestal, no groove	F	600	1	22F	081819002218
1" x 4"	Fine Grit Stone on a Walnut Pedestal, no groove	F	600	1	32F	081819003215
1" x 6"	Fine Grit Stone on a Walnut Pedestal	F	600	1	42F	081819004212
2" x 4"	Fine Grit Stone on a Walnut Pedestal	F	600	1	52F	081819005219
2" x 6"	Fine Grit Stone on a Walnut Pedestal	F	600	1	62F	081819006216
2" x 6"	Medium Grit Stone on a Walnut Pedestal	M	400	1	62M	081819006223
2" x 8"	Fine Grit Stone on a Walnut Pedestal	F	600	1	72F	081819007213
Bench Stone						
2" x 4" x 1/4"	Fine Grit Stone	F	600	1	51F	081819005110
2" x 6" x 1/4"	Super Fine Grit Stone	SF	1200	1	61SF	081819006100
2" x 6" x 1/4"	Fine Grit Stone	F	600	1	61F	081819006117
2" x 8" x 1/4"	Super Fine Grit Stone	SF	1200	1	71SF	081819007107
2" x 8" x 1/4"	Fine Grit Stone	F	600	1	71F	081819007114
2" x 8" x 1/4"	Medium Grit Stone	M	400	1	71M	081819007121
3" x 8" x 1/4"	Super Fine Grit Stone	SF	1200	1	81SF	081819008104
3" x 8" x 1/4"	Fine Grit Stone	F	600	1	81F	081819008111
3" x 8" x 1/4"	Medium Grit Stone	M	400	1	81M	081819008128
Flat Plate						
8" x 8"	Coarse Grit Flat Plate	C	250	1	151C	081819015133

Diamond Sharpeners Fixed Angle



Easy clamp on fixed angle kit to ensure proper angle sharpening for perfect results.
Kit includes knife clamp, angle guides, guide rods in a roll pouch.
Comes in superfine, fine and medium diamond sharpening stones.



K011



DMD-KIT



Application

DIY
Hospitality
Industrial

Discount Group: Z1401

Description	Grade	Grit	Pieces	Item #	Barcode
3 Pce Fixed Angle Sharpening Stone Kit					
Includes Super Fine, Fine & Medium	SF/F/M	1200/600/400	3	DMD-KIT	081819413403
Replacement Fixed Angle Sharpening Stone					
Red – Fine	F	600	1	K011	081819110111
Purple – Medium	M	400	1	K012	081819110128
Black – Coarse	C	250	1	K013	081819110135

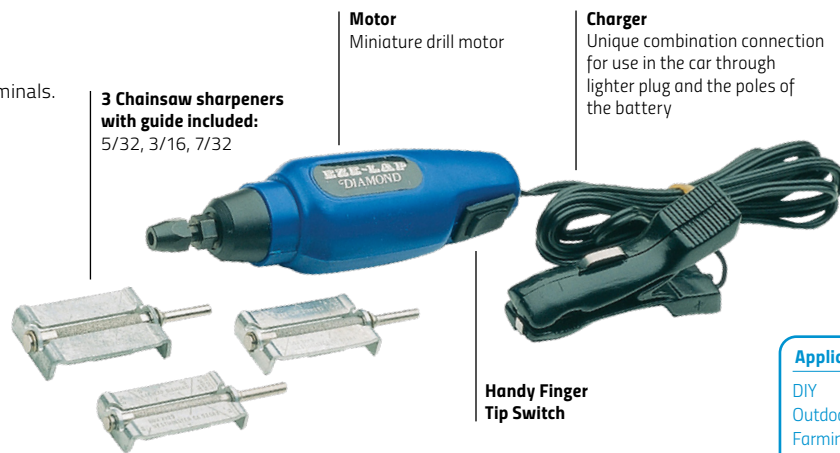
Diamond Sharpeners Chainsaw



12 volt chainsaw sharpening kit.
Designed for cigarette lighter or battery terminals.
Precision guide for efficient sharpening.



CSG 3/16



Application

DIY
Outdoor
Farming
Industrial

Discount Group: Z1401

Size	Description	Shank	Pieces	Item #	Barcode
4 Pce Chainsaw Sharpening Kit					
5/32", 3/16", 7/32"	12-Volt Chainsaw Sharpening Kit	1/8	4	CSK	081819110029
Chainsaw Files					
5/32"	Diamond chainsaw file, threaded	1/8	1	CSR 5/32	081819180527
3/16"	Diamond chainsaw file, threaded	1/8	1	CSR 3/16	081819180329
7/32"	Diamond chainsaw file, threaded	1/8	1	CSR 7/32	081819180725
Chainsaw Files with Precision Guide					
5/32"	Diamond chainsaw file with precision guide	1/8	1	CSG 5/32	081819700527
3/16"	Diamond chainsaw file with precision guide	1/8	1	CSG 3/16	081819700329
7/32"	Diamond chainsaw file with precision guide	1/8	1	CSG 7/32	081819700725

Diamond Sharpeners Special Use Items



Credit Card Stone



201

Chisel Care Kit



CCKF

Carbide Knife & Tool Sharpener



EE02

Ceramic Combo Pocket Stone



CD4

Application

- DIY
- Outdoor
- Farming
- Fishing
- Hospitality
- Woodworking

Discount Group: Z1401

Size	Description	Grade	Grit	Pieces	Item #	Barcode
Credit Card Stone						
2" x 3-1/4"	Super Fine Stone	SF	1200	1	200	081819200003
2" x 3-1/4"	Fine Stone	F	600	1	201	081819201000
2" x 3-1/4"	Medium Stone	M	400	1	202	081819202007
Eze Edge						
	Carbide Knife & Tool Sharpener			1	EE02	081819055023
Chisel Care Kit						
50 x 150 x 6mm	Diamond Plate Chisel Guide			1	CCKF	081819661996
Ceramic Combo Pocket Stone						
3/4" x 4"	Double Sided Super Fine Diamond/Ceramic Combo Pocket Stone + Sheath			1	CD4	081819344004

Diamond Sharpeners Needle Files



12 different shapes.

2 durable efficient grits – Fine and Coarse.

Used by Gunsmiths, tool and die makers, jewellers and stockmakers.



600F



600C



605F



605C

Application

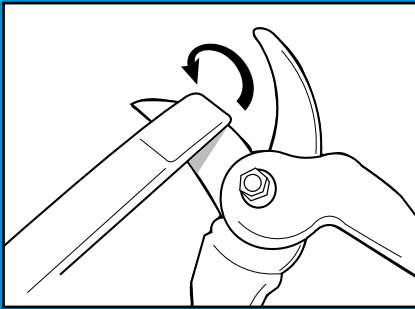
DIY
Industrial
Jewellery Making

Discount Group: Z1401

O/A Length	Description	Shape	Grade	Grit	Pieces	Item #	Barcode
Diamond Needle File - Red Handle							
140	Round	○	F	600	1	601F	081819060119
140	Square	□	F	600	1	602F	081819060219
140	Three Square	△	F	600	1	603F	081819060317
140	Half Round	◐	F	600	1	604F	081819060416
140	Flat Warding	▭	F	600	1	605F	081819060516
140	Knife	△	F	600	1	606F	081819060613
140	Hand	▭	F	600	1	608F	081819060812
Diamond Needle File - Purple Handle							
140	Three Square	△	C	250	1	603C	081819060324
140	Half Round	◐	C	250	1	604C	081819060423
140	Flat Warding	▭	C	250	1	605C	081819060522
140	Hand	▭	C	250	1	608C	081819060829
6 Pce Diamond Needle File Sets							
140	Round, Square, Three Square, Half Round, Flat Warding, Knife	○□△◐▭△	F	600	6	600F	081819060010
140	Hand, Crossing, Barrette, Round Edge Joint, Slitting, Pippin	▭○◁▷◇◇	F	600	6	607F	081819060713
140	Round, Square, Three Square, Half Round, Flat Warding, Knife	○□△◐▭△	C	250	6	600C	081819060027
140	Hand, Crossing, Barrette, Round Edge Joint, Slitting, Pippin	▭○◁▷◇◇	C	250	6	607C	081819060720

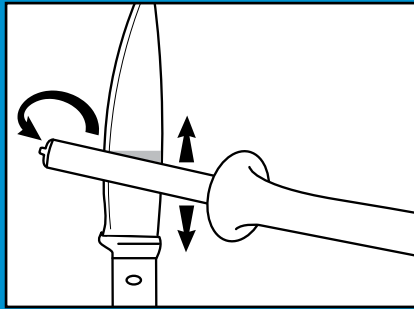


Diamond Sharpeners How To Use



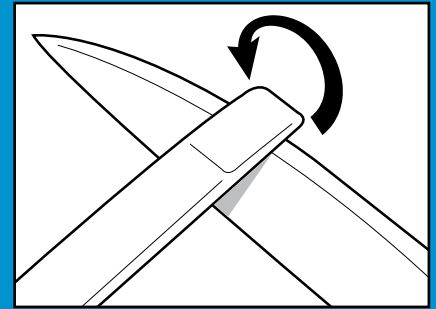
Secateurs - LF

Open your secateurs and locate the ground angled edge. Lay the diamond pad flat on the angle, then raise slightly and rub in small circles along the full length of the blade. Start with a firm pressure then finish lightly. Use and clean regularly.



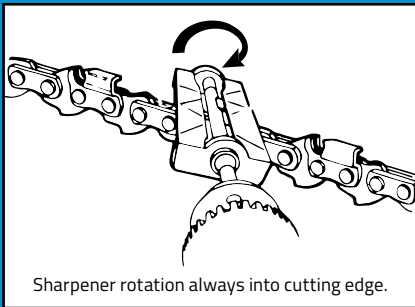
Knives - D5F

Holding your knife steady, lay the diamond shaft flat on the blade, lift slightly (so you are not touching the blade face). Rub in small circles or up and down along the blade length, try keeping the angle the same doing both sides evenly. Start with a firm pressure then finish lightly. Use and clean regularly.



Knives - LF

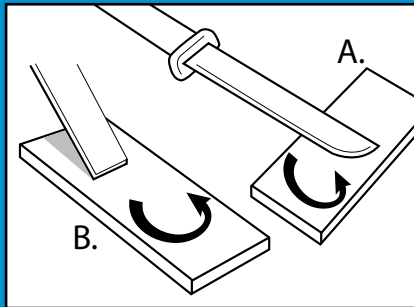
Hold your knife steady, lay the diamond pad flat on the blade, lift slightly (so you're not touching the blade face). Rub in small circles or up and down along the blade keeping the angle the same. Do both sides evenly. Start with a firm pressure then finish lightly. Use and clean regularly.



Diamond Chainsaw Sharpeners - CSG

Put Sharpener and guide on tooth. Align with cutting edge. Start drill motor, hold steadily in place.

Do not oscillate or reciprocate.
Use with standard drill motor.
Apply thumb side pressure to side of guide.
Do not apply side pressure to drill motor.



Knives & Tools - 61F or 72F

- A. Lay your knife flat on the diamond plate, lift slightly (so you're not touching the blade face). Rub in small circles or up and down along the blade length, keeping the angle the same doing both sides evenly. Start with a firm pressure then finish lightly.
- B. Position the ground angle on the plate. Use a circular or up/down action to shape the edge.
Turn blade over flat to hone off any burr and polish.

